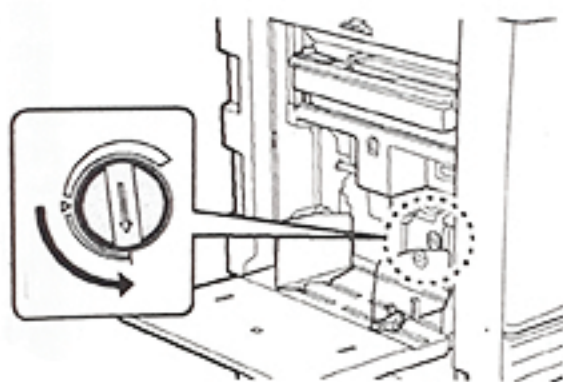
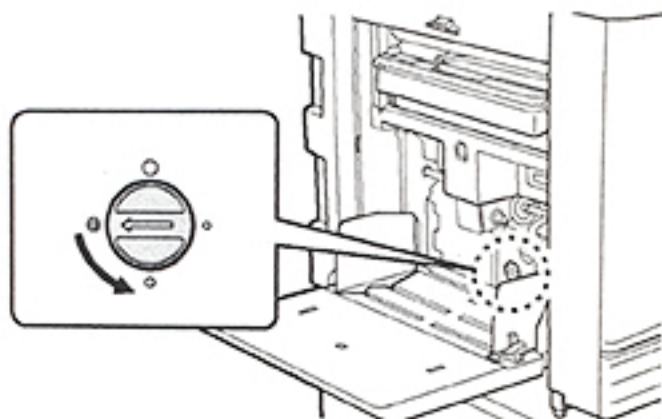




- ▶ Before the adjustment, be sure to remove any papers from the paper feed tray, and then confirm that the paper feed tray has lowered to the bottom.

- **When papers are skipped**
Turn the dial counterclockwise.



- **When multiple papers are fed**
Turn the dial clockwise.

